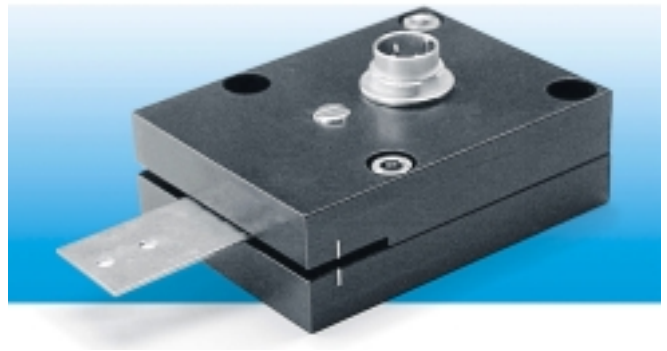


Inductive Slot Transducer

Series SM48

- Through passing measuring vane
- Several measuring vane possible
- Stroke up to 20mm
- Integral electronic circuit
- Protection class IP66
- accuracy 0.5%



Construction and operating principle:

The slot transducer contains two coil systems facing each other but separated by an air gap. The measuring vane changes the magnetic coupling of the coil systems. The integral electronic circuit is mounted in an anodised aluminium housing.

Standard-stroke

20mm

Standard versions

Type	output	Supply voltage U_B^*	signal**	mid
SM481	0 .. 20 mA	20 .. 32 V	increasing	10 mA
SM482			decreasing	
SM483	4 .. 20 mA	20 .. 32 V	increasing	12 mA
SM484			decreasing	
SM485	± 10 V	±13.. ±16 V	increasing	0 V
SM486			decreasing	

* Pole reversal protection

** Increasing signal by moving the measuring vane from left to the right side.

Note: Unless otherwise stated, all values are valid at +20°C Ambient temperature and 30 VDC or ±15 VDC supply voltage, starting 10 minutes after switch-on.

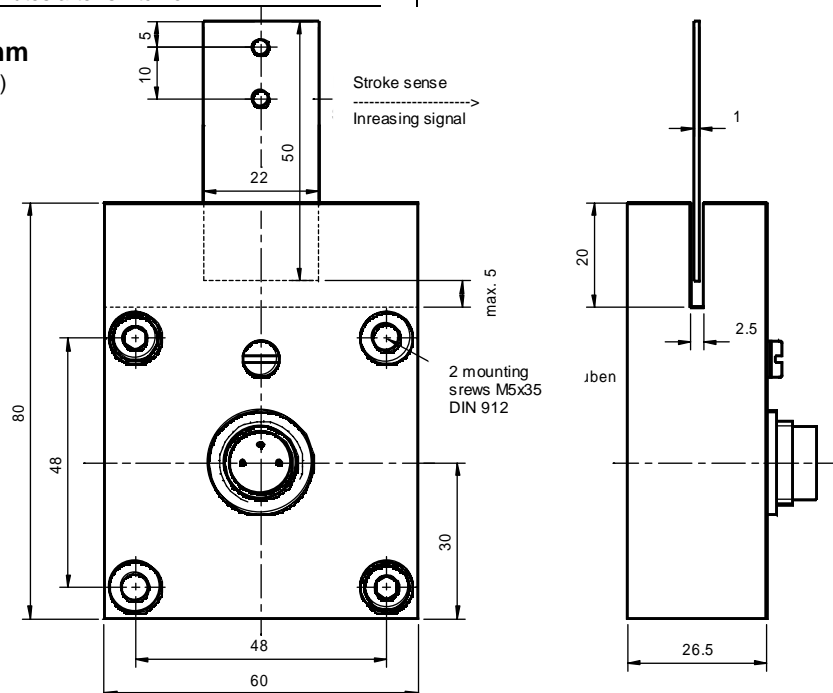
Technical data:

accuracy	< 0,5%
Temperatur drift	< 0,01% / °C
Temperatur range	-20°C bis +85°C
Measurement frequency	800Hz
Resistance to shock	20g SRS 20-2000Hz
Resistance to vibration	3g rms (20g Spitze)
Protection class	IP66 *

* with mounted mating plug Bi 723.M

Dimensions in mm

(Plug 3-pins or 4-pins)



Current output (SM481 / SM483):

Output signal	0..20 mA or 4..20 mA
Supply current I_B	max. 60 mA
Load resistance R_L	0..500 Ω
Residual ripple	< 0,005 mA _{SS}
Dependence on R_L	< 0,001% for $\Delta R_L = 100\Omega$
Dependence on V_S	< 0,05% for $\Delta U_B = 1V$
Max. output current	25 mA

Voltage output (SM485):

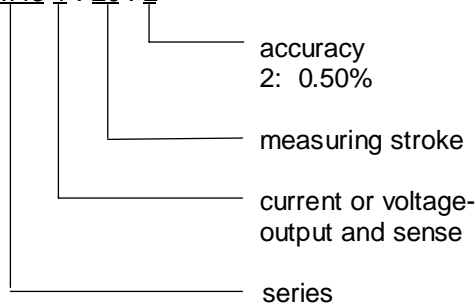
Output signal	± 10 VDC
Supply current I_B	max. 50 mA
Permissible load R_L	≥ 2 k Ω (short-circuit proof)
Residual ripple	< 5 mV _{SS}
Dependence on V_S	< 0,05% for $\Delta U_B = 1V$

Materials and masses

housing	Alu, black anodised
Measuring vane	copper
plug shell / connector shell	brass nickel-plated
Mass	~250g
Contacts	Gold-plated

Order code

SM48 1 . 20 . 2



Order codes for customer specified versions will be named at plant.

For example SM481.20.2

transducer series 48, output 0-20mA,
20mm stroke, accuracy 0.5%

additional versions:

- different supply voltage and output signals
- Cable output with Pg-fastener .K

Mating plugs

- IP40: Binder Ser. 681 3PS/4PS
Metal case
(must be orderd separately)
- IP66: Binder Ser. 723M 3PS/4PS
Metal case with outer ring connected to ground
(must be orderd separately)

Electrical connections on plug

(View to the plug at transducer)

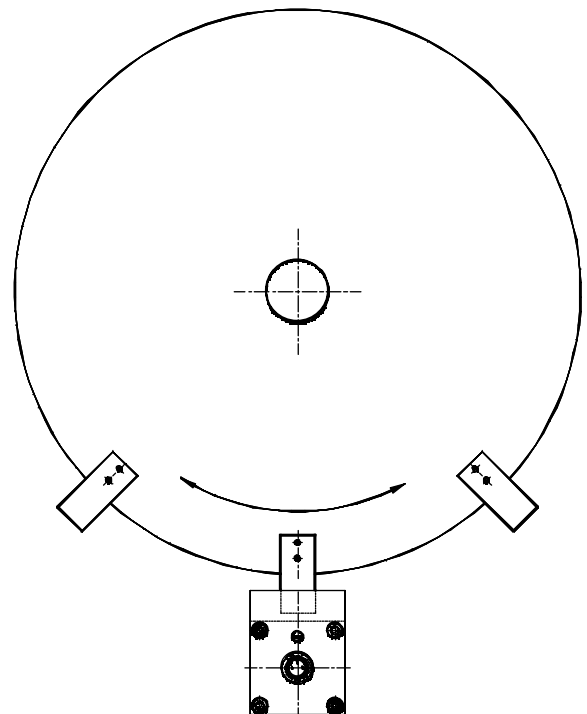
3-pol. SM481/483	4-pol. SM485
1: + U_B 2: - U_B (0V) 3: I_A (output)	1: + U_B 2: 0V 3: - U_B 4: U_A (output)
Cable color	
red	
black	
brown	

Cable output .K**accessories**

Additional measuring vanes	SM907.480
----------------------------	-----------

example for use

exact positioning of a machine table



Your Distributor

a.b.jödden gmbh
Europark Fichtenhain A 13a
47807 Krefeld, Germany
Phone +49 2151 516259 0
Fax +49 2151 516259 20
info@abjoedden.de
www.abjoedden.de