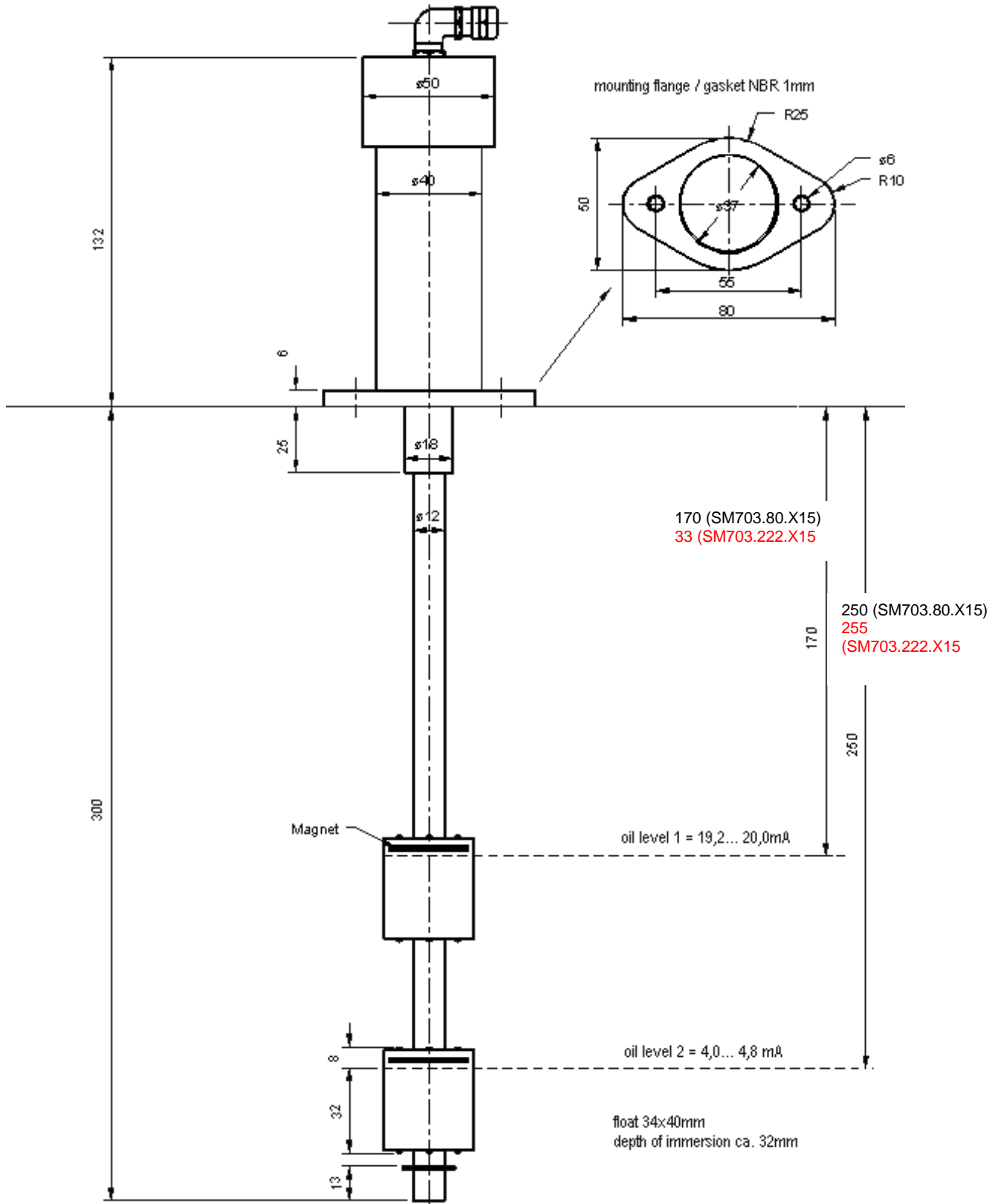


Magnetostrictive Displacement Transducer
SM703.80.X15 (BM80)



Technical data:

Standard stroke	80mm
Supply voltage U_B	20 .. 32V _{DC} *
Supply current I_B	≤ 100mA
Output signal ± I_A	4 .. 20mA 2-wire transmitter with HART protocol according to spec. PRetop 5335A
	Limiting value 3,8 .. 20mA
	Sensor error 3,5mA
	Reaction time 1 sec
Temperature range	-20°C up to +85°C
Protection class housing	IP66
Cable output	5m PUR-cable 4x0,34 shielded

* Pole reversal protection

Setting points and tolerance:

SM703.80.X15	setting point	Output signal
Oil level 1	170 mm	19,2 .. 20,0mA
Oil level 2	250 mm	4,0 .. 4,8mA

SM703.222.X15	setting point	Output signal
Oil level 1	33 mm	19,2 .. 20,0mA
Oil level 2	255 mm	4,0 .. 4,8mA

Materials:

Measuring tube	brass
Flange	brass
Housing	Aluminium, black anodized
Float	Polypropylene

Electrical connections:

Signal	Cable colour
+ U_B	brown
- U_B	white
+ I_A (1*)	green
- I_A (2*)	yellow

* siehe Pinbelegung PRetop 5335A

Supply items:

- 2 screws M6x16 DIN912 VA
- 2 washer M6 VA
- 1 NBR gasket

Your Distributor



a.b.jödden gmbh
 Europark Fichtenhain A 13a
 47807 Krefeld, Germany
 Phone +49 2151 516259 0
 Fax +49 2151 516259 20
 info@abjoedden.de
 www.abjoedden.de